

Technical Specifications

▶ GENERAL

| Characteristics | 25 A | 32 A | 50 A | 63 A | 80 A | 100 A |
|---|---------|---------|---------|---------|---------|---------|
| UL/cUL - suitable as motor disconnect | | | | | | |
| ▶ Rated voltage (V) | 600 | 600 | 600 | 600 | 600 | 600 |
| ▶ General Use Current (A) | 25 | 32 | 50 | 63 | 80 | 100 |
| ▶ Motor Ratings (hp) | | | | | | |
| 1 x 120 V | 0.75 | 1 | 1.5 | 3 | 3 | 5 |
| 1 x 240 V | 1.5 | 2 | 3 | 5 | 10 | 10 |
| 1 x 277 V | 2 | 3 | 5 | 7.5 | 10 | 15 |
| 3 x 120 V | 1.5 | 2 | 3 | 5 | 7.5 | 10 |
| 3 x 240 V | 3 | 5 | 7.5 | 10 | 20 | 25 |
| 3 x 480 V | 7.5 | 10 | 15 | 20 | 40 | 50 |
| 3 x 600 V | 7.5 | 10 | 15 | 20 | 40 | 50 |
| ▶ Auxiliary Blocks | | | | | | |
| NO/NC | A600 | | | | | |
| Early Make | B300 | | | | | |
| Early Break | B300 | | | | | |
| ▶ Wire Gauge (AWG) | | | | | | |
| 3-Pole Body, Additional Pole, Late Break Neutral, Junction Block | 8 - 14 | 8 - 14 | 4 - 14 | 4 - 14 | 1 - 14 | 1 - 14 |
| Auxiliary Contacts | 14 - 18 | 14 - 18 | 14 - 18 | 14 - 18 | 14 - 18 | 14 - 18 |
| ▶ Short Circuit Rating | | | | | | |
| Fuse Type K5 (A) | 5000 | 5000 | 5000 | 5000 | 5000 | 10000 |
| Fuse Size (A) | 40 | 40 | 80 | 80 | 125 | 125 |
| Rated break capacity | 330 | 330 | 800 | 800 | 800 | 800 |

Technical Specifications

▶ GENERAL

| Characteristics | 25 A | 32 A | 50 A | 63 A | 80 A | 100 A |
|---|------|------|------|------|------|-------|
| IEC | | | | | | |
| ▶ Rated insulation voltage U_i (V) | 690 | 690 | 690 | 690 | 690 | 690 |
| ▶ Conventional free air thermal current I_{th} Uninterrupted rated current I_u (A) | 25 | 32 | 50 | 63 | 80 | 100 |
| ▶ Conventional enclosed thermal current I_{the} (A) | 20 | 25 | 40 | 50 | 63 | 80 |
| ▶ Rated impulse withstand voltage (overvoltage category III - pollution degree 3 U_{imp} (kV) | 6 | 6 | 6 | 6 | 6 | 6 |
| ▶ Rated operating current I_e (A) AC - 21 A/22 A Conform to IEC 60947-3 | 25 | 32 | 50 | 63 | 80 | 100 |
| ▶ Rated operating power (kW) | | | | | | |
| AC 23 A | | | | | | |
| 3 x 230 V | 5.5 | 5.5 | 15 | 15 | 18.5 | 22 |
| 3 x 400 V | 7.5 | 11 | 18.5 | 22 | 30 | 37 |
| 3 x 500 V | 7.5 | 11 | 22 | 30 | 37 | 45 |
| 3 x 690 V | 7.5 | 11 | 18.5 | 22 | 22 | 30 |
| AC 3 | | | | | | |
| 3 x 230 V | 4 | 4 | 7.5 | 11 | 15 | 18.5 |
| 3 x 400 V | 5.5 | 7.5 | 15 | 18.5 | 22 | 30 |
| 3 x 500 V | 5.5 | 7.5 | 15 | 22 | 30 | 37 |
| 3 x 690 V | 5.5 | 7.5 | 15 | 18.5 | 18.5 | 22 |
| ▶ Make - break characteristics ($A_{eff}/400$ V) | | | | | | |
| Rated make capacity | 710 | 710 | 1270 | 1270 | 1970 | 1970 |
| Rated break capacity | 330 | 330 | 800 | 800 | 800 | 800 |
| ▶ Short circuit characteristics | | | | | | |
| Rated short term withstand current I_{cW} ($A_{eff}/400$ V/1 s) | 350 | 430 | 500 | 760 | 1100 | 1500 |
| Rated short circuit make capacity I_{cm} (kA peak/400 V) | 1 | 1 | 1.8 | 1.8 | 2.8 | 2.8 |
| Short circuit current (kA $eff/400$ V) | 10 | 10 | 10 | 10 | 10 | 10 |
| with fuse gI/gG (A) | 25 | 32 | 50 | 63 | 80 | 100 |

Technical Specifications

▶ GENERAL

| Characteristics | 25 A | 32 A | 50 A | 63 A | 80 A | 100 A |
|--|---|--------|--------|--------|--------|--------|
| ▶ Mechanical life AC 20 (million) | 0.1 | 0.1 | 0.04 | 0.04 | 0.04 | 0.04 |
| ▶ Connections | | | | | | |
| Stranded wire + (min/max) cap (mm ²) | 0.75/6 | 0.75/6 | 1.5/16 | 1.5/16 | 2.5/35 | 2.5/35 |
| Solid wire (mm ²) | 10 | 10 | 25 | 25 | 50 | 50 |
| ▶ Operating and Storage temperature | -30°C to +70 °C , -22°F to +158°F | | | | | |
| ▶ Protection rating | rear of panel: IPxxB front of panel IP 40 in standard version (IP 65 on request) | | | | | |
| ▶ Conformity to standards | IEC 60697-3 -EN 60 947-3, UL508, CSA22.2, CB Certificate | | | | | |
| ▶ Climatic resistance Tropical atmosphere according to | IEC 60068-2-30 Cyclic damp heat | | | | | |

▶ AUXILIARY CONTACTS

| Characteristics | 25 A | 32 A | 50 A | 63 A | 80 A | 100 A |
|---|---------|---------|---------|---------|---------|---------|
| ▶ Rated insulation voltage Ui (V) | 400 | 400 | 400 | 400 | 400 | 400 |
| ▶ Conventional free air thermal current I _{th} | | | | | | |
| Continuous rated current I _u (A) | 10 | 10 | 10 | 10 | 10 | 10 |
| ▶ Rated operating current I _e (A) | | | | | | |
| AC 15 | | | | | | |
| 230 V | 6 | 6 | 6 | 6 | 6 | 6 |
| 400 V | 4 | 4 | 4 | 4 | 4 | 4 |
| ▶ PROTECTION AGAINST SHORT CIRCUIT BY FUSE gG (A) | 10 | 10 | 10 | 10 | 10 | 10 |
| ▶ Max. connection stranded wire (mm ²) | 2 x 2.5 | 2 x 2.5 | 2 x 2.5 | 2 x 2.5 | 2 x 2.5 | 2 x 2.5 |

Technical Specifications

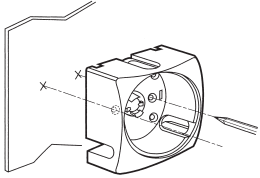
► ENCLOSURES

| Characteristics | 150x100x96 | 220x150x100 | 220x150x100 | 220x150x100 | 220x150x100 | 300x200x100 |
|-------------------------------------|--|--|--|--|--|--|
| ► Rating | 25 and 32 A 3P to 4P +NC/NO | 25 and 32 A 6P and 6P +NC/NO | 50 and 63 A 3P to 4P +NC/NO | 50 and 63 A 6P and 6P +NC/NO | 80 and 100 A 3P and 3P +NC/NO | 80 and 100 A 4P to 6P +NC/NO |
| ► Cable inputs | 2 x 2 PG 16 OR 2 x 2 M25 | 2 x 2 PG 21 | 2 x 2 PG 21 | 2 x 2 PG 29 | 2 x 2 PG 29 | 2 x 2 PG 21 2 x 2 PG 29 |
| ► Ø knockouts (mm) | PG 16: 22.5 ISO M25: 25 | 28.5 | 28.5 | 37.5 | 37.5 | 37.5 and 28.5 |
| ► No. of knockouts (top and bottom) | 2 | 2 | 2 | 2 | 2 | 4 |
| ► Panel mount | by 2 screws | by 4 screws | by 4 screws | by 4 screws | by 4 screws | by 4 screws |
| ► Base/cover assembly | by 1 screws self-tapping stainless steel | by 4 screws self-tapping stainless steel | by 4 screws self-tapping stainless steel | by 4 screws self-tapping stainless steel | by 4 screws self-tapping stainless steel | by 6 screws self-tapping stainless steel |
| ► Switch/base assembly | on 35 mm DIN rail (this rail is notched for positioning the switch) | | | | | |
| ► Handles mounting | screwing on shaft pre-pierced cover | | | | | |
| ► Insulation | Class II installed (provided that the correct insulation plugs are used with the enclosure) | | | | | |
| ► Impact withstand | IK07 | | | | | |
| ► Flameproof | 650°C | | | | | |
| ► Protection rating | IP 66 | IP 40 (IP 65 upon request) | | | | |
| ► Contact operating diagram | <p>The diagram illustrates the contact configuration for the switch. It shows a Disconnect Switch with three main switch mechanisms (1/L1, 3/L2, 5/L3) and their corresponding terminals (2/T1, 4/T2, 6/T3). Additionally, there are two auxiliary contact mechanisms (13, 21) and their terminals (14, 22). A legend on the right shows the state of these contacts for two positions: 0 (left) and 1 (right). In position 0, the main contacts are open, and the auxiliary contacts are in their normal state. In position 1, the main contacts are closed, and the auxiliary contacts are in their normally closed state.</p> | | | | | |
| ► Switch padlocking | In general: up to 3 padlocks \varnothing 4 to 8 mm Switch with 1 auxiliary contact NC/NO: up to 3 padlocks \varnothing 6 to 8 mm Modular presentation: 1 padlock \varnothing 6 to 8 mm | | | | | |

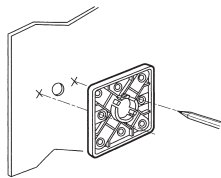
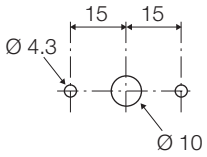
Technical Specifications

► MOUNTING - PANEL DRILLING

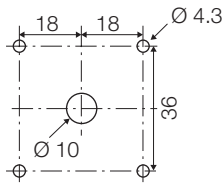
Panel/Door Handle Mounting



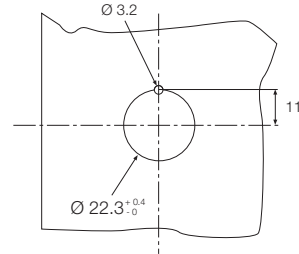
25A/32A



50A/63A/80A/100A

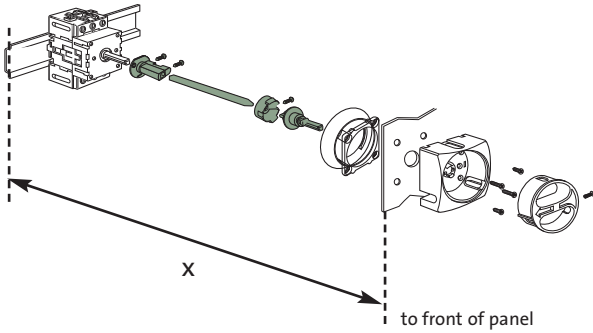


Ø22 Single Hole Mounting

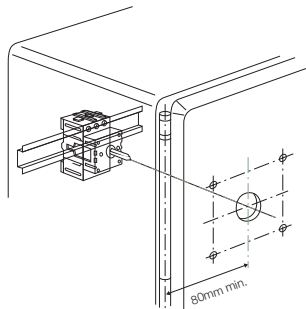
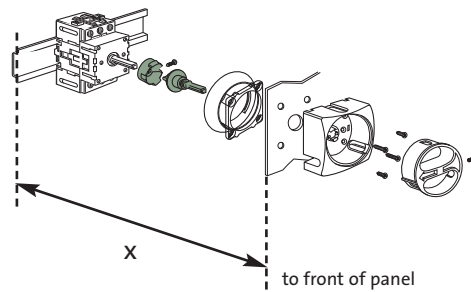


Door Interlock System

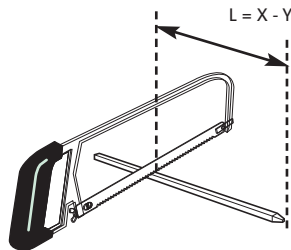
Short or Long Metal Shaft Version



No Metal Shaft Version



Minimum Distance to Hinge



| | X | | | Y |
|------------|---------------|------------------|-----------------|--------|
| | without shaft | with short shaft | with long shaft | |
| 25A / 32A | 86 - 100 mm | 125 - 250 mm | 125 - 400 mm | 92 mm |
| 50A / 63A | 96 - 110 mm | 135 - 260 mm | 135 - 410 mm | 102 mm |
| 80A / 100A | 106 - 120 mm | 145 - 270 mm | 145 - 420 mm | 112 mm |