

Rex - analog time switches

MicroRex - 3 modules for DIN rail mounting



926 428

Rex - analog time switches

MicroRex - 1 module for DIN rail mounting



A10 415

Reference

MicroRex T31

24 hour program, synchronous motor

925 429 230 V, 50 Hz
A25 446 120 V, 60 Hz

MicroRex W31

7 day program, synchronous motor

925 112 230 V, 50 Hz
A25 114 120 V, 60 Hz

MicroRex QT31

24 hour program, quartz controlled motor (with running reserve)

926 428 230 V, 50/60 Hz
A26 448 120 V, 50/60 Hz
926 420 9-48 V, AC/DC

MicroRex QW31

7 day program, quartz controlled motor (with running reserve)

926 116 230 V, 50/60 Hz
A26 126 120 V, 50/60 Hz
926 113 9-48 V, AC/DC

Accessory

037 49 Kit for wall mounting, including base plate and terminal cover

⊕ According to UL 60730-1, UL 60730-2-7, IEC 730-1, EN 60730-1, VDE 0631 part 1, IEC 730-2-7, EN 60730-2-7, VDE 0631 part 2-7

Analog 24 hour and 7 day time switches for DIN rail.
Hour and minute hands can be turned clockwise or counter-clockwise, providing easy and quick change of summer to winter time and vice versa.
• manual override switch

Reference

MicroRex T11

24 hour program, synchronous motor

910 402 230 V, 50 Hz
A10 415 120 V, 60 Hz

MicroRex QT11

24 hour program, quartz controlled motor (with running reserve)

916 402 230 V, 50/60 Hz
A16 418 120 V, 50/60 Hz

MicroRex W11

7 day program, synchronous motor

910 103 230 V, 50 Hz
A10 104 120 V, 60 Hz

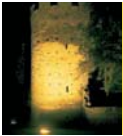
MicroRex QW11

7 day program, quartz controlled motor (with running reserve)

916 102 230 V, 50/60 Hz
A16 103 120 V, 50/60 Hz

⊕ According to UL 60730-1, UL 60730-2-7, IEC 730-1, EN 60730-1, VDE 0631 part 1, IEC 730-2-7, EN 60730-2-7, VDE 0631 part 2-7

Analog 24 hour and 7 day time switches for DIN rail.
• manual override switch



Rex - analog time switches

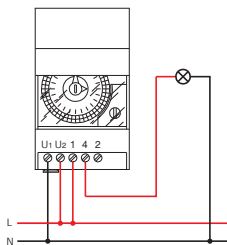
MicroRex

Technical data analogue MicroRex

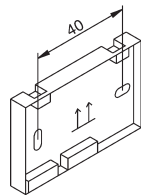
| Type | MicroRex T11 | MicroRex QT11 | MicroRex W11 | MicroRex QW11 | MicroRex T31 | MicroRex QT31 | MicroRex W31 | MicroRex QW31 |
|-------------------------------|------------------------|-------------------|------------------------|-------------------|------------------------|-------------------|------------------------|-------------------|
| No. of modules (17.5 mm) | 1 | | | | | 3 | | |
| Motor | synchron | quartz | synchron | quartz | synchron | quartz | synchron | quartz |
| Switching dial | 24 h | 24 h | 7 d | 7 f | 24 h | 24 h | 7 d | 7 d |
| Running reserve | none | >100 h | none | >100 h | none | >100 h | none | >100 h |
| Switching step | 15 min | 15 min | 2 h | 2 h | 15 min | 15 min | 2 h | 2 h |
| Min. switching step | 15 min | 15 min | 2 h | 2 h | 30 min | 30 min | 4 h | 4 h |
| Switching accuracy | +/-5 min | +/-5 min | +/-30 min | +/-30 min | +/-5 min | +/-5 min | +/-30 min | +/-30 min |
| Accuracy | according to frequency | +/- 2.5 sec a day | according to frequency | +/- 2.5 sec a day | according to frequency | +/- 2.5 sec a day | according to frequency | +/- 2.5 sec a day |
| Switching capacity | | | | | | | | |
| • Resistive 230 V~ cos j =1 | 16 A~ | | | | | | | |
| • Incandescent lamp 230 V~ | 4 A~ | | | | | | | |
| • inductive 230 V~ cos j =0.6 | 12 A~ | | | | | | | |
| Contact | 1 SPST | 1 SPST | 1 SPST | 1 SPST | 1 SPDT | 1 SPDT | 1 SPDT | 1 SPDT |
| Operating temperature | -10...+55 °C | | | | | | | |
| Protection | IP20 | | | | | | | |

Wiring diagrams

MicroRex-3 modules

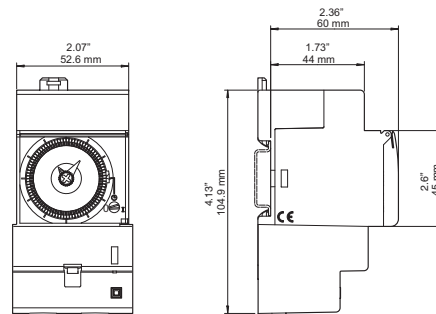


Wall mounting plate for MicroRex 31

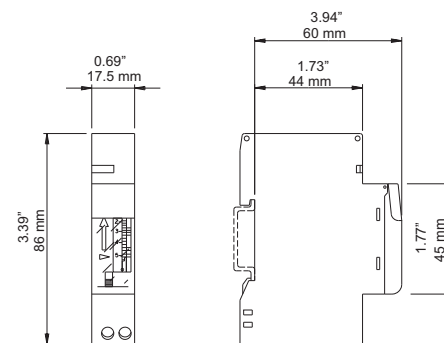
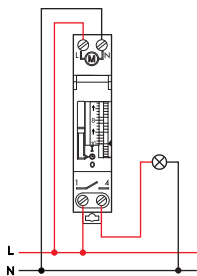


Ref. no. 03749
including terminal cover

Dimensions



MicroRex-1 module



Rex - analog time switches

Front panel and wall mounting

EconoRex M



912 441

Reference

Time switch modules with flat plugs for panel mounting (without accessories)

EconoRex MT

24 h, without running reserve

912 441 230 V, 50 Hz
A12 463 120 V, 60 Hz

EconoRex MQT

24 h, with running reserve

912 427 230 V, 50/60 Hz
A12 464 120 V, 50/60 Hz

EconoRex MW

7 day, without running reserve

912 445 230 V, 50 Hz
A12 465 120 V, 60 Hz

EconoRex MQW

7 day, with running reserve

912 447 230 V, 50/60 Hz
A12 466 120 V, 50/60 Hz

Accessories

Wall mounting kit for EconoRex M includes base plate with terminals and terminal cover
A00 020
Adapter for DIN rail mounting
A00 021

⊕ According to UL 60730-1, UL 60730-2-7, IEC 730-1, EN 60730-1, VDE 0631-1, IEC 730-2-7, EN 60730-2-7, VDE 0631-2-7

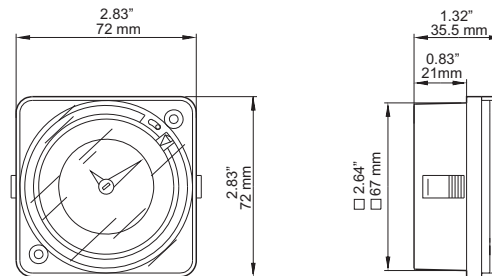
Compact analog daily or weekly time switch for front panels and surface mounting

- with manual override
- with 72 x 72 mm display conform to DIN EN 50 022 part C

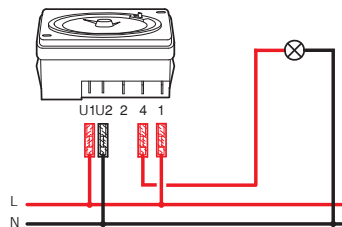
Technical data

| Type | EconoRex MT | EconoRex MQT | EconoRex MW | EconoRex MQW |
|-----------------------|---|------------------|------------------------|------------------|
| Motor | synchron | quartz | synchron | quartz |
| Switching dial | 24 h | | 7 d | |
| Running reserve | none | >100 h | none | >100 h |
| Switching step | 10 min | | 1 h | |
| Min. switching time | 20 min | | 2 h | |
| Switching accuracy | +/-5 min | | +/-30 min | |
| Accuracy | according to frequency | +/-2.5 sec a day | according to frequency | +/-2.5 sec a day |
| Switching capacity | <ul style="list-style-type: none"> • Resistive 230 V~ cos φ =1 • Incandescent lamps 230 V~ • Inductive 230 V~ cos φ =0.6 | | | |
| | 20 A~ | 16 A~ | 20 A~ | 16 A~ |
| | 4 A~ | | 4 A~ | |
| | 12 A~ | | 12 A~ | |
| Contacts | 1 SPDT | | | |
| Operating temperature | -10...+55 °C | | | |
| Protection | IP30 | | | |

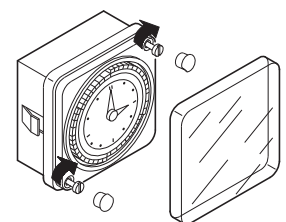
Dimensions



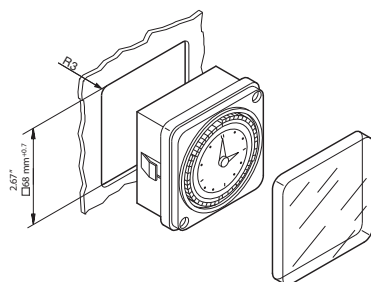
Wiring diagram



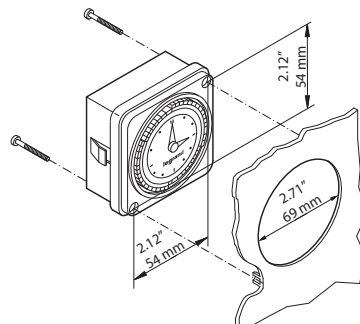
Overview



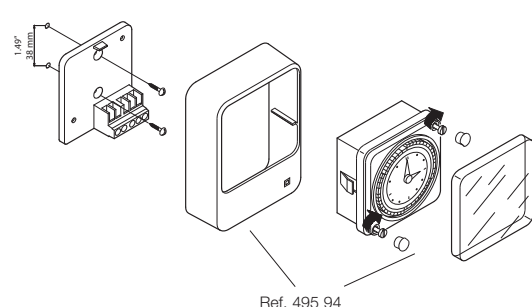
Front panel



Rear panel



Wall mounting





Rex - analog time switches

MaxiRex 30A

NEW



A23 460

Reference

- A23 460** **MaxiRex T 30A**
Daily time switch, without running reserve
120V, 60Hz
- A24 460** **MaxiRex QT 30A**
Daily time switch, with 100h running reserve
230V, 50/60Hz
- A24 461** **MaxiRex W 30A**
Weekly time switch, without running reserve
120V, 50/60Hz
- A23 160** **MaxiRex W 30A**
Weekly time switch, without running reserve
120V, 60Hz
- A24 160** **MaxiRex QW 30A**
Weekly time switch, with 100h running reserve
230V, 50/60Hz
- A24 161** **MaxiRex QW 30A**
Weekly time switch, with 100h running reserve
120V, 50/60Hz
- A000 27** **Accessory**
Terminal cover

Technical data

| Type | T | W | QT | QW |
|-----------------------|--|-----|-------------------|-----|
| Motor | synchronous | | quartz controlled | |
| Switching dial | 24 h | | 7 d | |
| Running reserve | none | | 100h | |
| Switching step | 10 min | 1 h | 10 min | 1 h |
| Min. switching time | 20 min | 2 h | 20 min | 2 h |
| Switching accuracy | +/- 5 min/d | | +/- 30 min/d | |
| Accuracy | acc. to frequency | | +/- 1sec/day | |
| Switching capacity | <ul style="list-style-type: none"> • Resistive 230 V~ cos j =1 30 A • Incandescent lamps 230 V~ 1800 W • Inductive 230 V~ cos j =0.6 20 A | | | |
| Contacts | 1 SPST | | | |
| Operating temperature | -10° C... +55° C | | | |
| Protection | IP20 | | | |

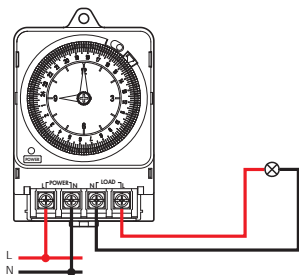
⊕ According to UL 60730-1, UL 60730-2-7, EN 50022, EN 55014-1, EN 55014-2, IEC 60730-1, EN 60730-1, VDE 0631-1, IEC 60730-2-7, EN 60730-2-7, VDE 0631-2-7.

Robust analog daily and weekly time switch with REAL 30 Amp switching capacity, for DIN rail mounting and wall mounting.

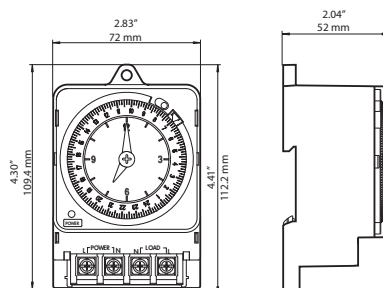
The MaxiRex 30A is our perfect solution to control your special applications with heavy loads like:

- the lighting of commercial billboards / sign boards
- water heaters
- hydrochlorinators
- heating / ventilation systems
- post lights
- blowers
- pool heaters
- electric fences
- filters, pumps and conveyers

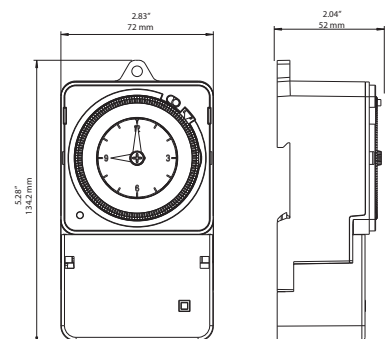
Wiring diagram



Dimensions without terminal cover



Dimensions with terminal cover



Rex - analog time switches

defrost time switches

PolarRex



A13 469

Reference

Defrost time switches without running reserve

PolarRex KT
24 hour, 1 channel

A13 469 230V, 50Hz

PolarRex KKT
24 hour, 2 channel

A13 470 230V, 50Hz
A13 475 120V, 60Hz

Defrost time switches with running reserve

PolarRex QKT
24 hour, 1 channel

A19 450 230V, 50/60 Hz

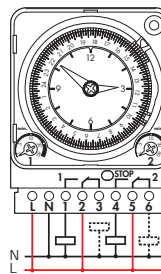
PolarRex QKKT
24 hour, 2 channels

A19 447 230V, 50/60Hz
A19 448 120V, 50/60Hz

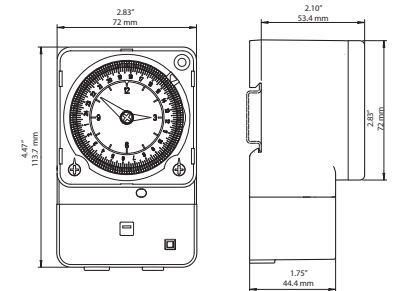
Technical data

| Type | PolarRex KT | PolarRex QKT | PolarRex KKT | PolarRex QKKT |
|-------------------------------------|--|----------------|------------------------|----------------|
| Motor | synchronous | quartz | synchronous | quartz |
| Switching dial | 24 h | | | |
| Running reserve | none | >100 h | none | >100 h |
| Switching step | 30 min | | | |
| Min. switching time | 1-60 min | | | |
| Switching accuracy (switching dial) | +/-5 min | | | |
| Accuracy | according to frequency | +/-1 sec a day | according to frequency | +/-1 sec a day |
| Switching capacity | 16 A~ | | | |
| | • Resistive 230 V~ cos φ =1 • Inductive 230 V~ cos φ =0.6 | | | |
| Contacts | 1 SPDT | | 2 SPDT | |
| Operating temperature | -10...+55 °C | | | |
| Protection | IP 30 | | | |

Wiring diagram



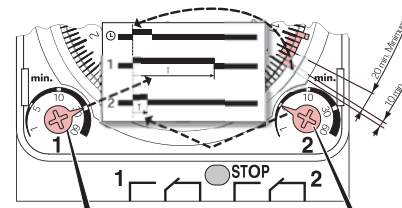
Dimensions (mm)



Programming

⊕ According UL 60730-1, UL 60730-2-7, IEC 730-1, EN 60730-1, VDE 0631-1, IEC 730-2-7, EN 60730-2-7, VDE 0631-2-7.

The time switch has a 24h dial and one (1 channel) or two (2 channel) continuously adjustable short time programs, which can repeated several times in 24h. The program's duration has to be adjusted with a button which is dedicated to a specific channel. The start of the program has to be set on the dial by pulling a segment on the desired time. The shortest duration between 2 programs is 30 min. The short time program can be repeated up to 48 times in 24h. The beginning, the duration and the number of the programs can be changed easily without any accessories.

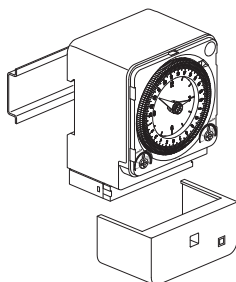


Programming the defrost times and visualization of the working status with 2 green LED's

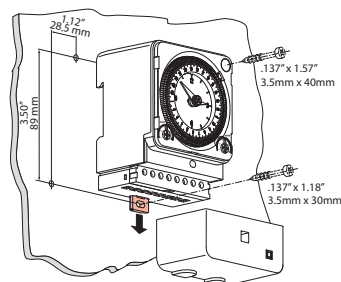
Different types of mounting:

- DIN rail
- wall

DIN-rail



Wall mounting





Rex - analog time relays



A63 207

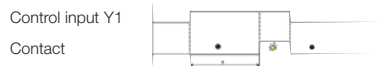


A63 206

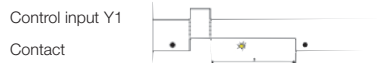
Reference

A63 222 Star-Delta relay

A63 205 ON-delay relay



A63 204 OFF-delay relay



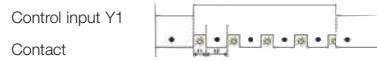
A63 209 Clock generator relay (impulse starting)



A63 207 Impulse former relay



A63 206 Flashing relay



 According to UL 60730-1, UL 60730-2-7, VDE 0631-1 and 0631-2-7, EN 60 730-1 and 60 730-2-7

Application:

To control single timer functions like:
illumination, ventilation, automation, control systems . . .

- sealable cover
- supply voltage: 12 V...230 V AC

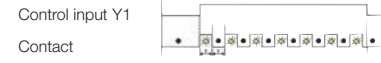
Reference

A63 208 Multi-function relay
In addition to the afore mentioned functions (except the flashing relay) the multifunctional relay offers you the following functions:

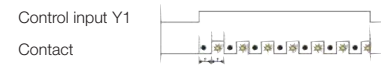
ON/OFF delay



Flasher (impulse starting)



Flasher (off-time starting)



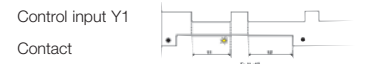
Passing contact



Additive ON delay



Additive fleeting ON



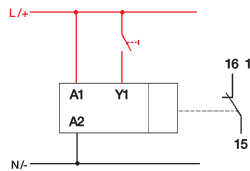
Rex - analog time relays



Technical data

| | Time relays |
|--|--|
| No. of modules (17.5 mm) | 1 |
| Supply voltage | 12...230 V AC/DC |
| Power consumption | ca. 2 W |
| Precision of const. parameters | +/- 0.2% of adjusted value |
| Setting accuracy | +/-5% at 25 °C |
| Switching capacity | |
| • Resistive 230 V cos φ =1 | 8 A~ |
| • Incandescent lamps 230 V | 2 A~ |
| • Inductive 230 V cos φ =0.6 | 4 A~ |
| Contacts | 1 Channel |
| No. of cycles | 10 ⁵ switching at 2000 VA 10 ⁷ mechanical switching |
| Max. admissible length of control wire | 20 m |
| Operating temperature | -20...+60 °C |
| Protection | IP20 |

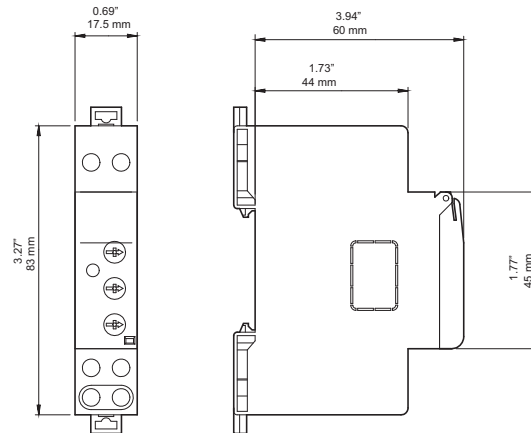
Wiring diagram



7 domains of time:

| min. | max. |
|---------|----------|
| 0,1 s | 1 s |
| 1 s | 10 s |
| 10 s | 100 s |
| 1 min. | 10 min. |
| 10 min. | 100 min. |
| 1 h | 10 h |
| 10 h | 100 h |

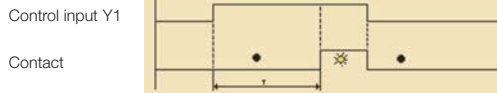
Dimensions



Functions and switching diagrams

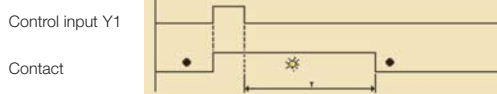
ON-delay relay

A63 205



OFF-delay

A63 204



Clock generator relay

A63 209



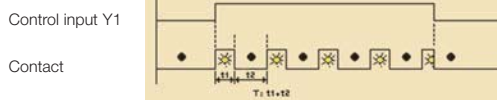
Impulse former relay

A63 207



Flashing relay

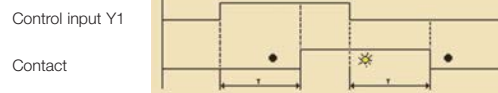
A63 206



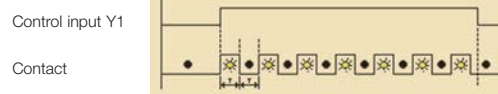
Multifunctional relay (A63 208)

additionally to the previous mentioned functions, (except flashing relay) the multifunctional relay offer the following functions:

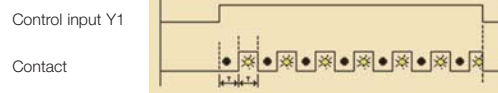
ON/OFF delay



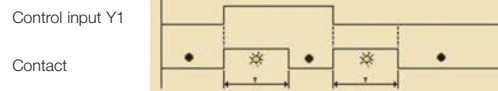
Flasher (impulse starting)



Flasher (OFF-time starting)



Passing contact



Additive ON delay



Additive fleeting ON





Hour counters

Front panel, Din-rail, flush-mounting
ContaRex



495 54



908 106



907 239

Reference

ContaRex 48 x 48 front panel

| | |
|---------------|---------------|
| 495 54 | 120 V, 60 Hz |
| 495 57 | 230 V, 60 Hz |
| 495 60 | 10 - 80 V, DC |

ContaRex 36 x 24 front panel

| | |
|----------------|--------------|
| 907 239 | 230 V, 60 Hz |
|----------------|--------------|

- ⊕ According to UL 863, cUL C22.2, IEC 1010-1, EN 61010-1, VDE 0411 part 1
- square 48 x 48 mm, IP 40
 - 55 x 55 adapter included (48 x 48 mm version)
 - AC-version: = 0 to 99999.99 h
 - DC-version: = 0 to 999999.9 h
 - front panel mounting

Reference

ContaRex round, Ø 80 mm

| | | |
|---------------|----------------|----|
| 495 63 | 10...80 V ±10% | DC |
|---------------|----------------|----|

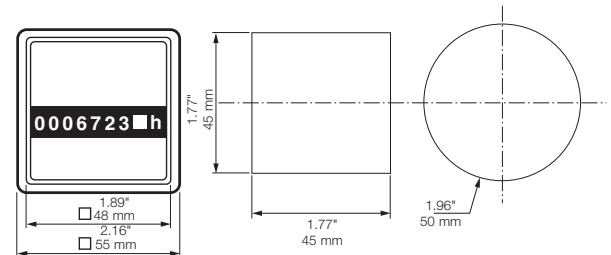
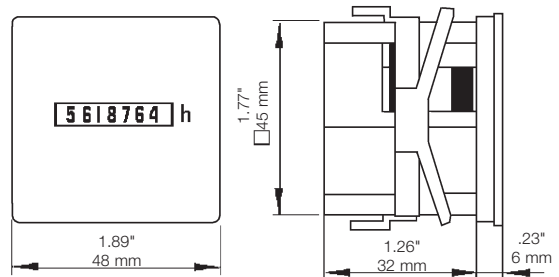
Accessories

| | |
|----------------|------------------|
| 908 105 | Frame 72 x 72 mm |
| 908 106 | Frame 55 x 55 mm |

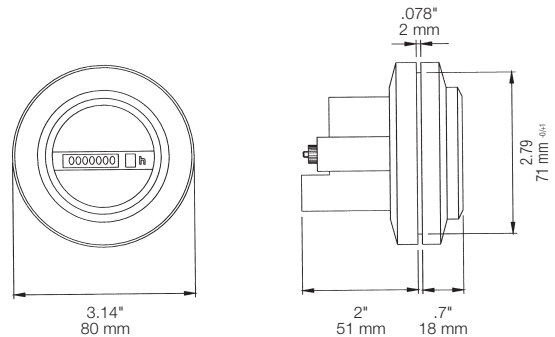
- ⊕ According to UL 863, cUL C22.2, IEC 1010-1, EN 61010-1, VDE 0411 part 1
- round, Ø 80 mm, IP 67
 - protected against vibrations by a rubber buffer ring
 - DC-version: 0 to 99999.9 h
 - front panel mounting

Dimensions

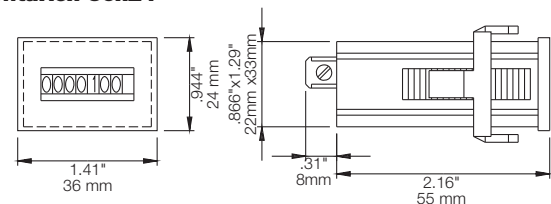
ContaRex 48x48



ContaRex ø 80mm



ContaRex 36x24



Hour counters

Din-rail mount
Rex 2000 HC2




961 103

Reference

Rex2000 HC2

| | |
|----------------|--------------|
| 961 102 | 230 V, 60 Hz |
| 961 103 | 120 V, 60 Hz |
| 961 104 | 24 V, 50 Hz |
| A61 108 | 12-36 V DC |

-  According to UL 863, cUL C22.2, IEC 1010-1, EN 61010-1, VDE 0411 part 1
Analog modular hour run indicator in for DIN rail mounting
- easy and quick mounting on DIN rail by using the 2 locking clamps
 - sealable cover

Dimensions

