

UL508

Alternating Current 50/60Hz - **A600**

Continuous Current - 10amps

Rated Voltage - 600Vac

Voltage	Max. Amps	
	Make	Break
72	60	10
120	60	6.0
240	30	3.0
480	15	1.5
600	12	1.2

max. VA at or below rated voltage
(can not exceed continuous current rating)

7200 VA 720 VA

Direct Current- **P300**

Continuous Current - 5 amps

Rated Voltage - 300Vdc

Voltage	Max. Amps	
	Make	Break
24	5.0	5.0
125	1.1	1.1
250	0.55	0.55

max. VA at or below rated voltage
(can not exceed continuous current rating)

138 VA 138 VA

IEC

Alternating Current

Rated Operational Voltage Ue (V)	Rated Operational Current	
	AC21 Ie (A)	AC15 Ie (A)
230	14	6.0
400	12	4.5
440	11	3.5
500	10	2.5
690	6.0	1.0

Category	Typical Applications
AC15 IEC 947-5-1	Control of electromagnetic loads (>72VA)
AC21 IEC 947-3	Switching of resistive loads including moderate overloads

Terminal Connections: Screw and Clamp
Stranded Wire: 2 x 14AWG
Solid Wire: 1 x 12 AWG
minimum size: 16 AWG

Quick Connect (Faston)
1 x .250" (6.35mm)
2 x .110" (2.8mm)

Mechanical Life: 3,000,000 cycles

Short Circuit Protection: 10A gL - gG fuse

Short Time Currents	1 sec	5 sec	10 sec	30 sec	60 sec
	180 A	130 A	120 A	90 A	70 A

Motor Ratings	Voltage	Horsepower
	1 x 110 Vac	0.5
	1 x 220 Vac	1.0
	3 x 220/240 Vac	3.0
	3 x 440/480 Vac	5.0
	3 x 550/600 Vac	3.0

Approvals:	UL *	A600 - P300	File E76045, E57818
	CSA	A600	File 25706
	VERITAS	10A - 660 Vac	
	NEMKO	10A - 380 Vac	
	DEMKO	10A - 380 Vac	
	SEMKO	10A - 400 Vac	
	F.I.	10A - 380 Vac	

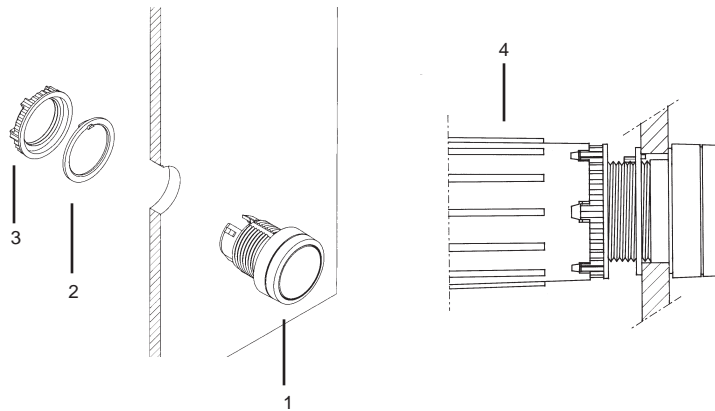
* UL - Screw terminals
UR - quick connect terminals

Mechanical Design Life:	Momentary Pushbuttons 3,000,000 cycles Maintained Pushbuttons 100,000 cycles Selector Switches 500,000 cycles						
Degree of Protection:	NEMA 4, 4x, 12, and 13 (unless otherwise noted) IP65 all standard devices, IP67 with boot						
Temperature Limits:	<table border="0"> <tr> <td>non-illuminated devices</td> <td>illuminated devices</td> </tr> <tr> <td>Storage</td> <td>-58° F to +176° F (-50° C to +80° C)</td> </tr> <tr> <td>Operating</td> <td>-22° F to +158° F (-30° C to +70° C)</td> </tr> </table>	non-illuminated devices	illuminated devices	Storage	-58° F to +176° F (-50° C to +80° C)	Operating	-22° F to +158° F (-30° C to +70° C)
non-illuminated devices	illuminated devices						
Storage	-58° F to +176° F (-50° C to +80° C)						
Operating	-22° F to +158° F (-30° C to +70° C)						
Bulb Power:	2.6W max. for momentary pushbuttons and pilot lights. 2.0W max. for maintained pushbuttons and selector switches.						

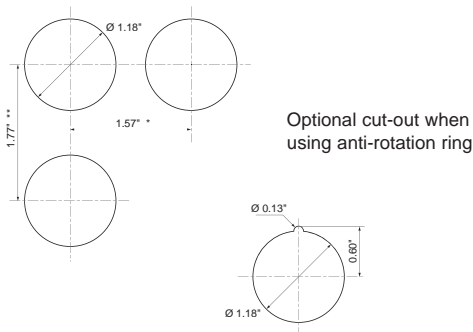
Mounting Operator Heads

Be sure that the collar is fully tightened on the operator head (1). Position the head in the panel with the locating slot facing up. Install anti-rotation ring (if equipped) on back of operator (2). Tighten locking nut (3) with hand or fixing tool (4)

Complete assembly by attached the contact blocks onto the operator head by turning the locking lever on the contact block clip 1/4 turn.



Drill Plan

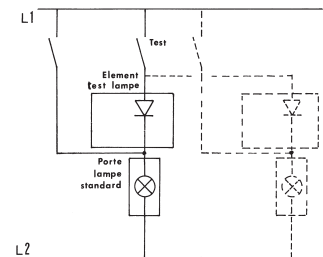


- * > 1.57" for 40mm mushroom heads
- > 1.97" for lever handle
- > 2.76" for 70mm mushroom heads

- ** > 1.97" for twin touch
- > 1.97" for legend plates
- > 2.76" for 70mm mushroom heads

Push-To-Test Pilot Light Diagrams

Lamp-testing module with 1 diode (23ET) for direct supply 6 to 130V



Lamp-testing module with 2 diodes (23ETT) for 230V supply with 130V lamp.

